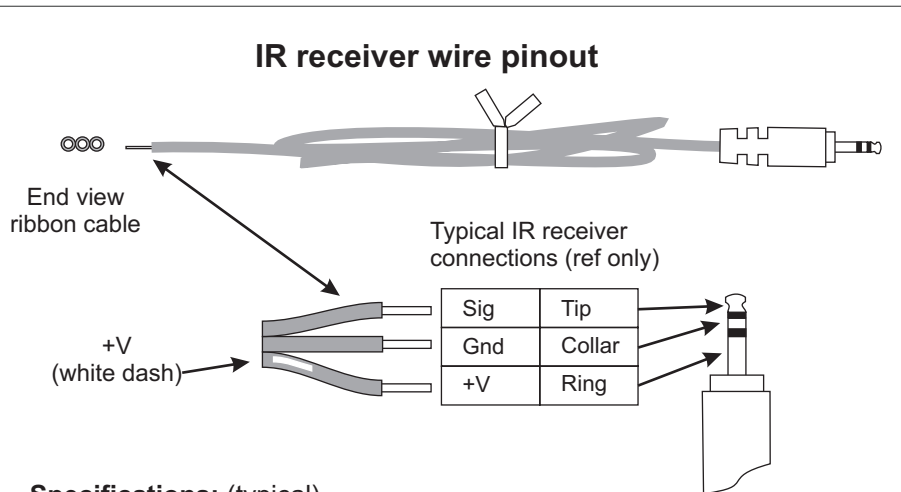


CHANNEL VISION™

IR Receivers



Specifications: (typical)

Power Supply Voltage:	8 - 12 VDC
IR Frequency range supported:	38 kHz - 56 kHz
*Max. wire distance from IR hub:	200 ft. (24 AWG)
IR pickup range:	40 ft. - 38kHz (25 ft. - 56kHz)

Specifications subject to change without notice.

*To extend wire, simply cut and splice in a longer 3-conductor wire (Cat5 will work). Be sure to follow the wiring configuration above.

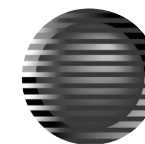
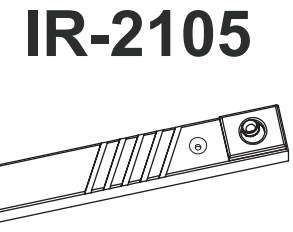
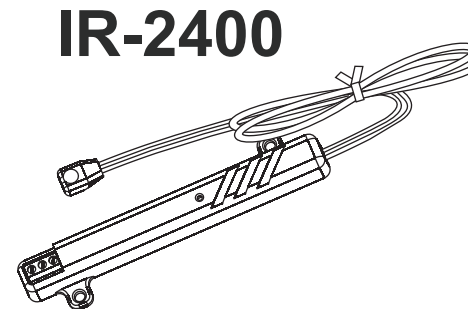
CHANNEL VISION Limited Warranty

Channel Vision Technology will repair or replace any defect in material or workmanship which occurs during normal use of this product with new or rebuilt parts, free of charge in the USA, for two years from the date of original purchase. This is a no hassle warranty with no mail in warranty card needed. This warranty does not cover damages in shipment, failures caused by other products not supplied by Channel Vision Technology, or failures due to accident, misuse, abuse, or alteration of the equipment. This warranty is extended only to the original purchaser, and a purchase receipt, invoice, or other proof of original purchase date will be required before warranty repairs are provided.

Mail in service can be obtained during the warranty period by calling (800) 840-0288 toll free. A Return Authorization number must be obtained in advance and can be marked on the outside of the shipping carton.

This warranty gives you specific legal rights and you may have other rights (which vary from state to state). If a problem with this product develops during or after the warranty period, please contact Channel Vision Technology, your dealer or any factory-authorized service center.

500-080 rev D



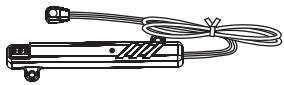
CHANNEL VISION™

234 Fischer Avenue · Costa Mesa, CA 92626
 (714) 424-6500 · (800) 840-0288 · (714) 424-6510 fax
 www.channelvision.com · email: sales @ channelvision.com

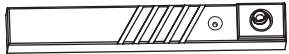
The **IR-2400**, **IR-2105**, **IR-2202**, and **IR-2301** IR receivers detect signals from Infra-Red remote controls, allowing them to be distributed to a whole house IR control system.

Features:

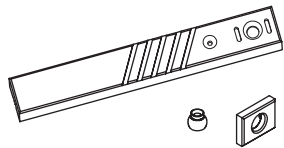
- Feedback LED for IR signal confirmation
- Compatible with any standard 12 Volt IR system
- All models have optical and electronic filtering to reject interference from fluorescent lamps and plasma displays.
- Steerable IR pickup minimizes interference (IR-2105)
- Variable field of view to minimize interference (IR-2202)



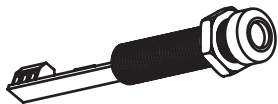
IR-2400 ... The easiest receiver to hide. The 2-piece design allows the IR sensor to be located where it is visible, while the larger section can be hidden behind the TV or other components.



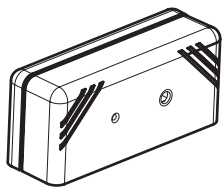
IR-2105 ... Most versatile receiver. Hides out of sight and can be mounted either Horizontal or vertical. Adjustable blinder swivels around the IR pickup to prevent interference (shown at top left). Can be used without the blinder assembly to allow a wider field of view (shown at bottom left).



Optional blinder assembly (included)



IR-2202 ... Tube type IR receiver with variable field of view. The IR pickup slides in and out of the tube to adjust the field of view.



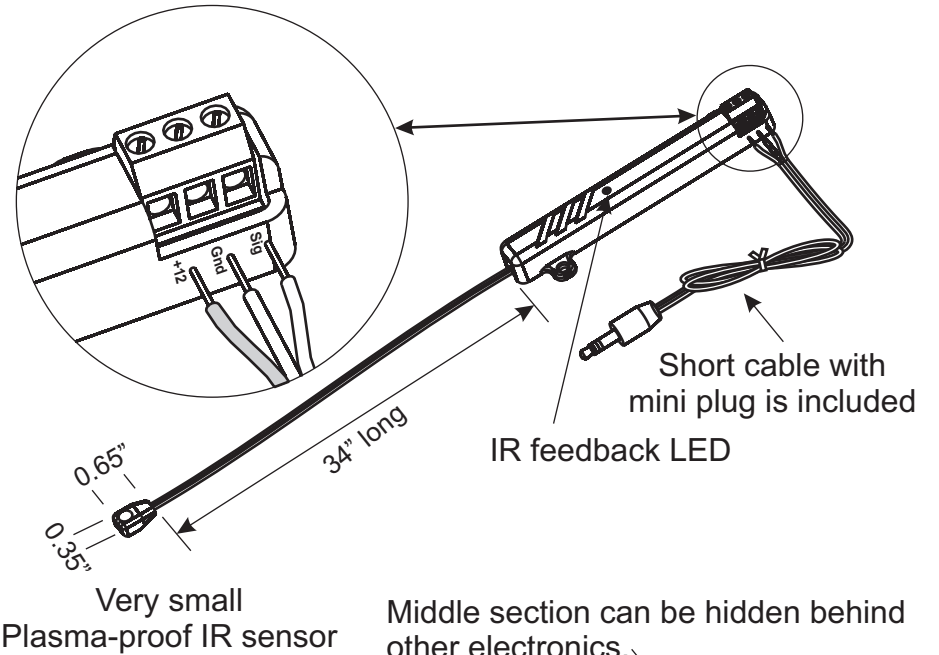
IR-2301 ... Table top IR Receiver. Can be placed on any flat surface such as a TV or entertainment center.

IR repeating concepts:

IR repeating allows the user to control devices which are not within the direct line of sight of the remote control. This is most commonly used in distributed audio/video systems where the source components are centrally located. See *How IR repeating works* on the next page for details.

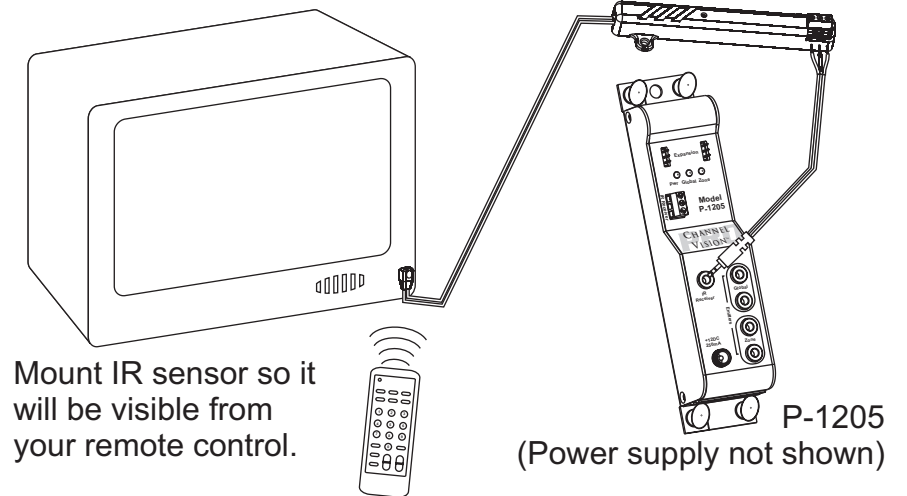
IR-2400 Plasma-proof 2-piece mini IR receiver

The IR-2400 is a Plasma-proof 2-piece IR receiver. The IR sensor is separated from the other required electronics, allowing the unit to be easily concealed.



Very small Plasma-proof IR sensor

Middle section can be hidden behind other electronics.

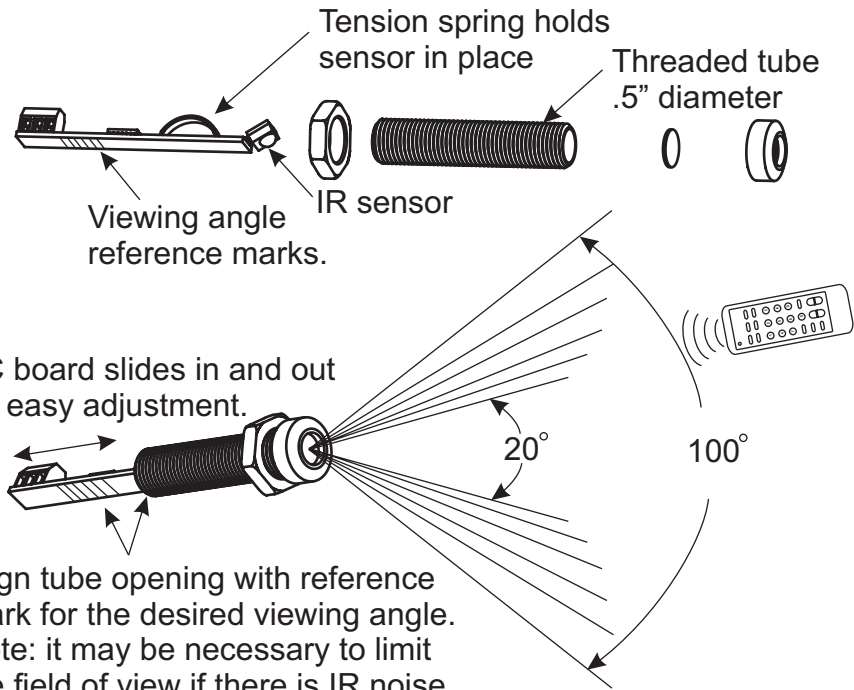


Mount IR sensor so it will be visible from your remote control.

P-1205 (Power supply not shown)

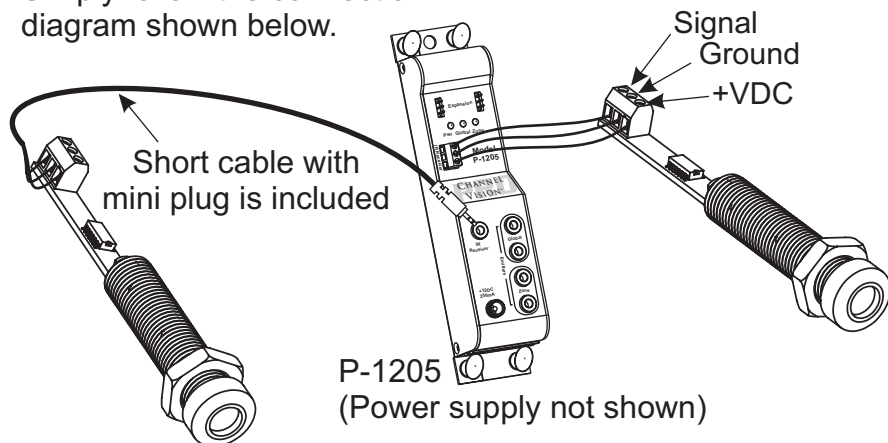
IR-2202 Plasma-proof Tube-type IR receiver

(IR-2202 assembly)



Align tube opening with reference mark for the desired viewing angle. Note: it may be necessary to limit the field of view if there is IR noise in the room. Some common sources of IR noise include: sunlight, fluorescent lights, or plasma TV screens.

The IR-2202 is compatible with most IR systems. Simply follow the connection diagram shown below.



Other IR components

The **P-1205** distribution hub supplies power to any standard IR receiver and IR signals to 4 emitter outputs (2 global, and 2 zone specific). As many as 16 IR receivers can be powered by one P-1205.

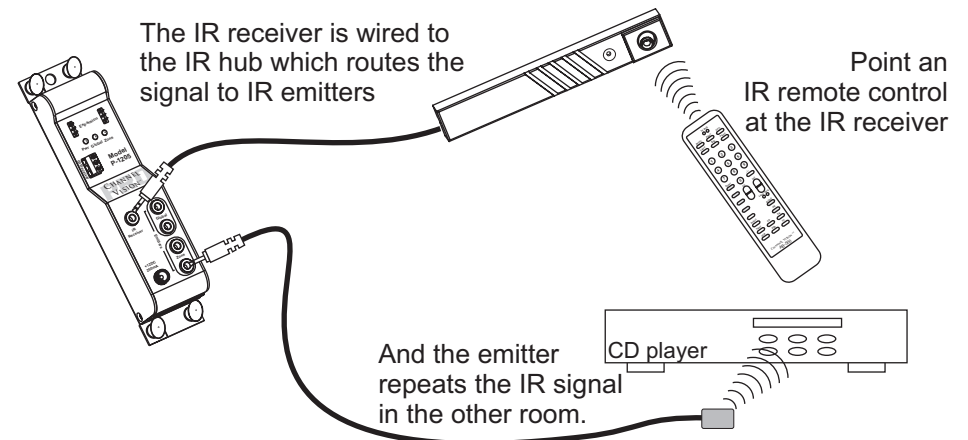
G-IRBW ... Wall plate insert converts standard 3-conductor IR wiring to a 3.5mm jack mounted in a wall plate insert. Provides simple screw terminals no soldering required.

IR-3003... Single head IR emitter with expansion jack. As many as 3 units can be chained together and connected to a single emitter output.

AB500 ... Universal remote control. Learns IR codes for up to 6 sources.

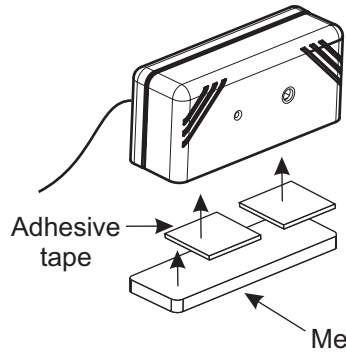
C-1201 ... IR receiver connecting block. Allows 8 IR receivers to be connected in parallel so that one set of wires can be connected to the P-1205.

How IR repeating works



Be sure the emitter is attached directly over the component's IR receiver. To locate the IR receiver, shine a flashlight into the unit and look for the sensor.

IR-2301 Plasma-proof Table top IR receiver

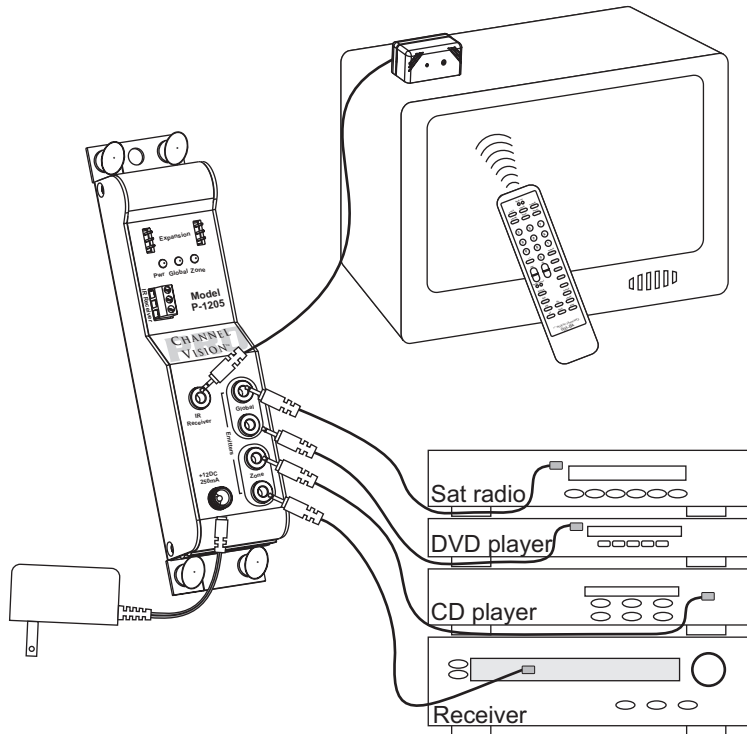


The IR-2301 is a small receiver that is ideal for use on flat surfaces such as the top of a TV set.

Double-sided adhesive tape is included, allowing the IR-2301 to be attached to any surface or to the metal stabilizer which is also included.

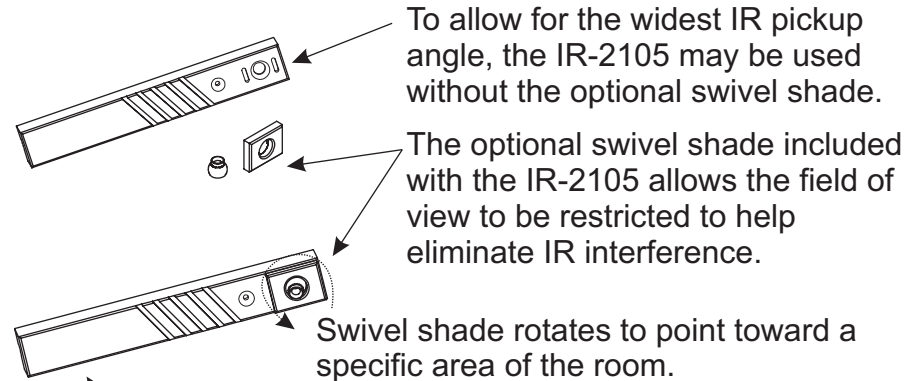
Basic IR Setup Using the IR-2301

A basic IR system, like the one shown below, is often used when audio/video devices are stored inside a closed cabinet and are out of the line of sight. The IR-2301 is placed outside the cabinet so that the remote control can be point directly at it.



IR-2105 Plasma-proof Stick-type IR receiver

The IR-2105 is an inconspicuous IR receiver that can be attached to the front of a TV set or equipment rack for a simple yet attractive installation.



To allow for the widest IR pickup angle, the IR-2105 may be used without the optional swivel shade.

The optional swivel shade included with the IR-2105 allows the field of view to be restricted to help eliminate IR interference.

Swivel shade rotates to point toward a specific area of the room.

Note: it may be necessary to limit the field of view if there is IR noise in the room. Some common sources of IR noise include: sunlight, fluorescent lights, or plasma TV screens.

