

 **CHANNEL VISION™**
2 Year Limited Warranty

Channel Vision Technology will repair or replace any defect in material or workmanship which occurs during normal use of this product with new or rebuilt parts, free of charge in the USA, for two years from the date of original purchase. This is a no hassle warranty with no mail in warranty card needed. This warranty does not cover damages in shipment, failures caused by other products not supplied by Channel Vision Technology, or failures due to accident, misuse, abuse, or alteration of the equipment. This warranty is extended only to the original purchaser, and a purchase receipt, invoice, or other proof of original purchase date will be required before warranty repairs are provided.

Mail in service can be obtained during the warranty period by calling (800) 840-0288 toll free. A Return Authorization number must be obtained in advance and can be marked on the outside of the shipping carton.

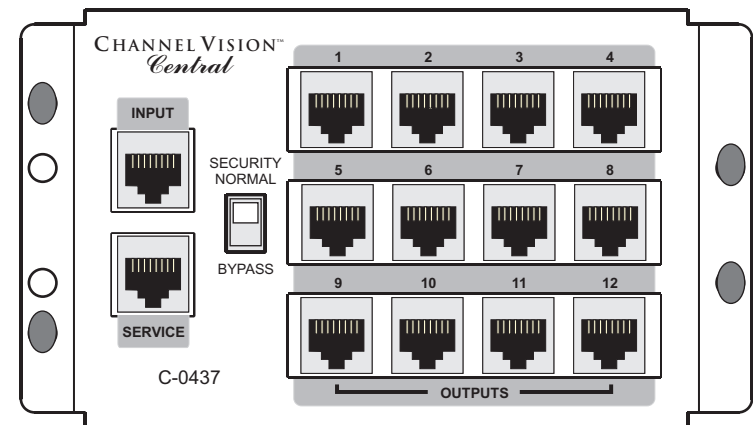
This warranty gives you specific legal rights and you may have other rights (which vary from state to state). If a problem with this product develops during or after the warranty period, please contact Channel Vision Technology, your dealer or any factory-authorized service center.

 **CHANNEL VISION™**
channelvision.com

234 Fischer Avenue, Costa Mesa, California 92626
(714)424-6500 • (800)840-0288 • (714)424-6510 fax

500-112 rev B

INSTRUCTIONS



C-0437 **Telephone Distribution Module**

 **CHANNEL VISION™**
CENTRAL

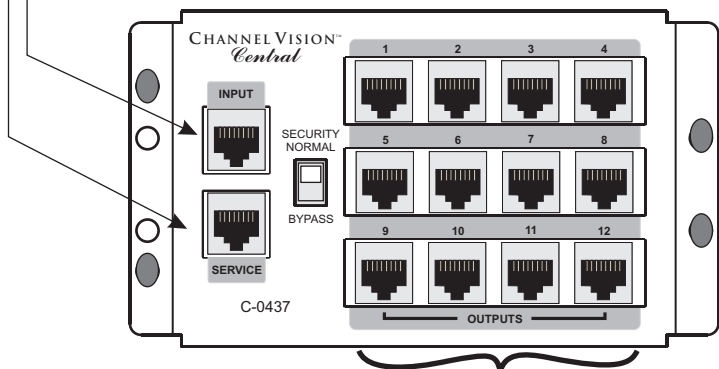
©2005 CHANNEL VISION TECHNOLOGY

The **C-0437** is a telephone module that distributes 4 Central Office lines to 12 locations. Vertical RJ-45 jacks allow convenient access to connections. The C-0437 is ideal for installations which require telephone service at several locations, but have very little space inside the structured wiring enclosure for large telephone modules.

Features:

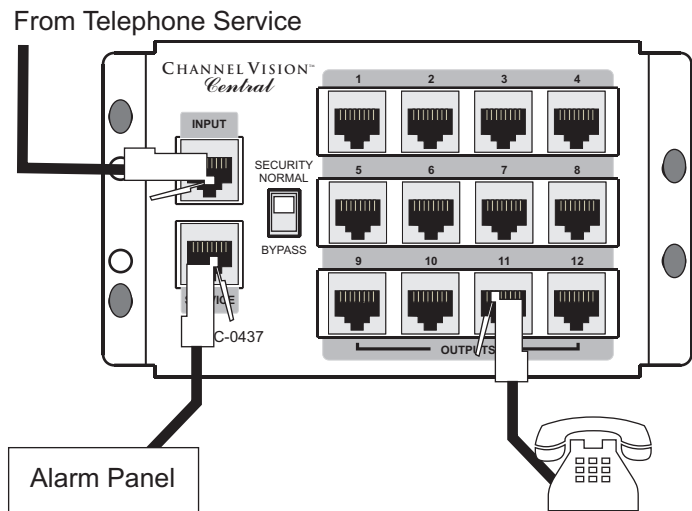
- Outputs 4 CO lines to 12 locations
- Service port for line-1 interrupt and alarm panel connection
- Compact design
- Quick and easy installation

SERVICE: Provides access to Line-1 interrupt circuit. Simple slide switch allows you to engage or bypass the service port.
INPUT: connect up to 4 CO lines in from telephone company.



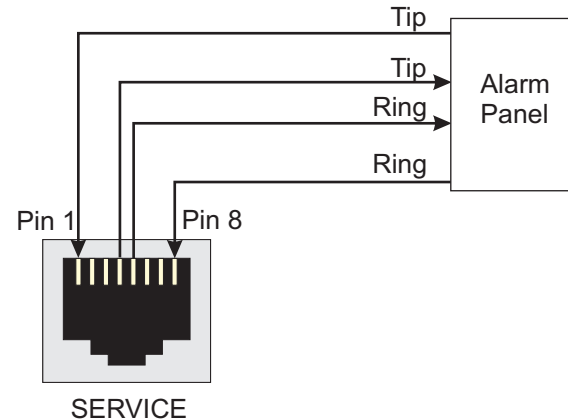
OUTPUTS 1-12: Connect to wall outlets in home.

Connection Diagram



Using the Service Port

When the Service Port is engaged it interrupts Line-1 to allow an alarm panel to seize the telephone line allowing it to call out when there is an emergency. The security port can be engaged and disengaged by changing the position of the slide switch located to the right.



Troubleshooting

CO Lines 2, 3, and 4 are passing through, but Line 1 is not:

The service port is engaged, but there is no alarm panel installed to complete the circuit. Move the switch to the opposite position. Line 1 should now function properly.

Telephone service is not active at one of the outputs:

Make sure the RJ-45 connector is seated completely by disconnecting and reconnecting the RJ-45 plug.
 Make sure the problem is not at the wall plate being served by the output. To test this, connect the problem run to one of the other outputs that is working properly, If the problem persists, then there is something wrong with wire run or the wall plate connections.
 Examine the RJ-45 connector for irregularities. If necessary, cut off the RJ-45 connector and make a new one.