



H.264 IP Bullet Camera Varifocal

6522- 2 megapixel H.264 IP Bullet Camera

Channel Vision's 6522 IP Bullet Camera offers superior image quality with a 2 megapixel CMOS sensor and has the ability to capture images up to UXVGA (1600 x 1200 pixels). With H.264 compression, less bandwidth and storage space are used, while delivering full resolution at max frame rate.



Features
High resolution with 2 megapixels for superior image quality
H.264 compression allows less bandwidth and storage space to be used while delivering full resolution at max frame rate
Varifocal lens with built-in 35 IR LED for a viewing distance of 60 feet in total darkness
Monitoring can be done anywhere an internet connection is available, even from a 3G smartphone
Includes analog video capabilities
Power over ethernet with POE enabled switch
CMS Software included

Specifications*

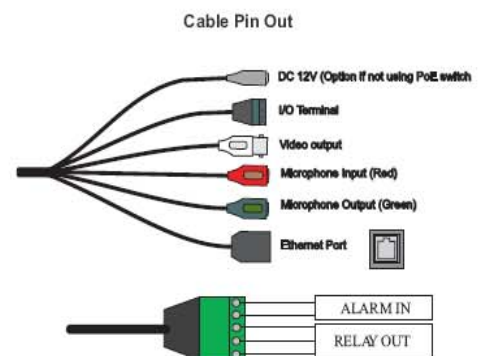
Hardware:

CPU: ARM 9, 32 bit RISC
DDR2: 256MB
Image Sensor: 1/3.2" CMOS (2 Megapixels)
Sensitivity: 0 lux (IR on)
Lens Type: Varifocal 3.6 to 16mm Lens
LED: Built-in 35 IR LED
Alarm I/O: 1 in/ 1 relay out
Video Out: x1
Audio In: x1
Audio Out: x1
Power Consumption: DC 12V 500mA (with IR)
Operating Temperature: 0 to +40°C

System:

Video Resolution: 1600x1200, 1280x1024, 1280x960, 1280x720, 800x600, 640x480, 320x240, 176x144
Video Adjust: Brightness, Contrast, Sharpness, BLC, Night Mode
Triple Streaming: Yes
Image Snapshot: Yes
Full Screen Monitoring: Yes
Privacy Mask: Yes, 3 different areas
Compression Format: H.264/ JPEG/ MPEG4 (3GPP only)
Video Bitrates Adjust: CBR, VBR
Motion Detection: Yes, with selectable area
Triggered Action: Mail, FTP, Relay
Pre/Post Alarm: Yes, configurable

Security: Password protection
Firmware Upgrade: HTTP mode, can be upgraded remotely
Simultaneous Connection: Up to 10
Audio: Yes, 2-way
ONVIF™ Compliant: Yes



*Specifications subject to change